



**PERFORMANCE DATA SHEET
NEMA PREMIUM NR CAN NEMA 12 - 12**

Catalogue #: MQP-13

| HP | kW | Voltage | S.F. @ 60Hz | EFF. | P.F. | Frame | Design | L.R. Amps |
|----|------|---------|-------------|-------|------|-------|--------|-----------|
| 2 | 1,49 | 230/460 | 1,25 | 88,5% | 0,7 | 184T | B | 25 |

| 60 Hz | | | | | | | | Code | F.L. RPM |
|-------|-----|-----|------|-----|-----|-----|--|------|----------|
| 208 | 230 | 416 | 460 | 480 | 575 | 600 | | | |
| / | 6 | / | 3,00 | / | / | | | L | 1180 |

| 50 Hz | | | | | | | | |
|-------|-----|-----|-------------|------------|--------------|------|----------|--|
| FLA | | | S.F. @ 50Hz | Efficiency | Power Factor | Code | F.L. RPM | |
| 190 | 380 | 415 | | | | | | |
| 7,0 | 3,5 | | 1,00 | 86,5% | 0,750 | J | 975 | |

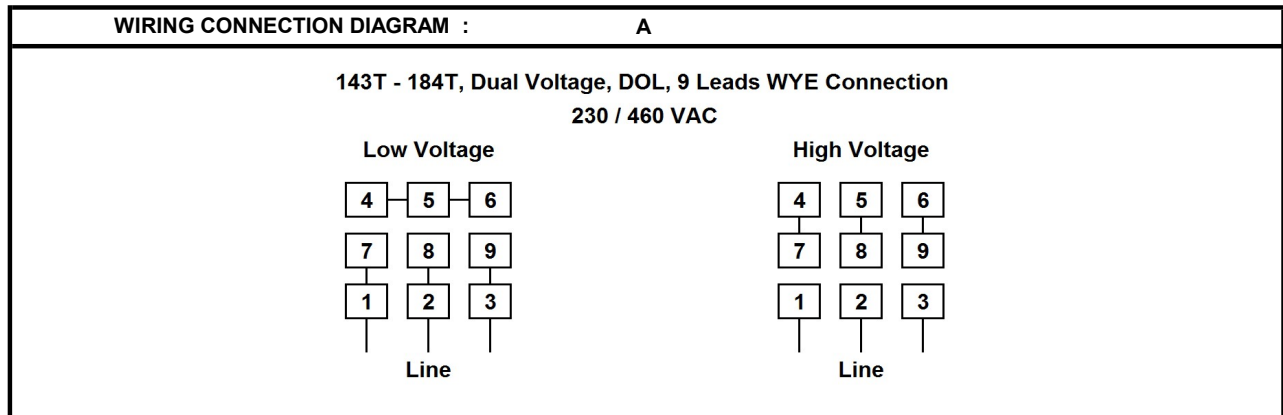
| Wgt. Lbs | PH | Duty | Insul. Class | Amb. | Elevation | Temp. Rise° C |
|----------|----|-------|--------------|------|------------------|---------------|
| 103 | 3 | Cont. | F | 40°C | 1000M (3,300 Ft) | < 80 |

| % Efficiency | | % Power Factor | | Torque | | Winding Resist. Ω | Safe Cold Start (Secs) |
|--------------|-------|----------------|------|------------------|-----|-------------------|------------------------|
| Full Load: | 88,5% | Full Load: | 0,70 | Full Load Ft/Lbs | 8,9 | | |
| 3/4 Load: | 88,0% | 3/4 Load: | 0,62 | Locked Rotor % | 190 | | |
| 1/2 Load: | 86,4% | 1/2 Load: | 0,50 | Break Down % | 280 | 0 | 20 |

| Rotor Inertia Wk2 Lb-Ft2 | Max Load Inertia Wk2 Lb-Ft2 | Shaft Material | Frame Material | DE Bracket Type | ODE Bracket Type | Enclosure | NEMA Rating | Lead Wire Size |
|--------------------------|-----------------------------|----------------|----------------|-----------------|------------------|-----------|-------------|----------------|
| 0,33 | 44,1 | 1045 | Cast Iron | Cast Iron | Cast Iron | TEFC | IP55 | 16AWG |

| Ball Bearings | | Grease | Mount Type | Orientation | Paint | Sound Pressure @ 3FT | Sound Power |
|---------------|------|-----------------|------------|-------------|---------|----------------------|-------------|
| DE | ODE | | | | | | |
| 6306 | 6306 | Sealed Bearings | Rigid | Horizontal | RAL6022 | 57 | 67 |

| Inverter Duty, Motor meets MG1 parts 31.4.4.2 | VFD SF | Constant Torque Range | Variable Torque Range | Constant HP RPM |
|---|--------|-----------------------|-----------------------|-----------------|
| | 1,00 | 10:1 | 20:1 | 1800 |

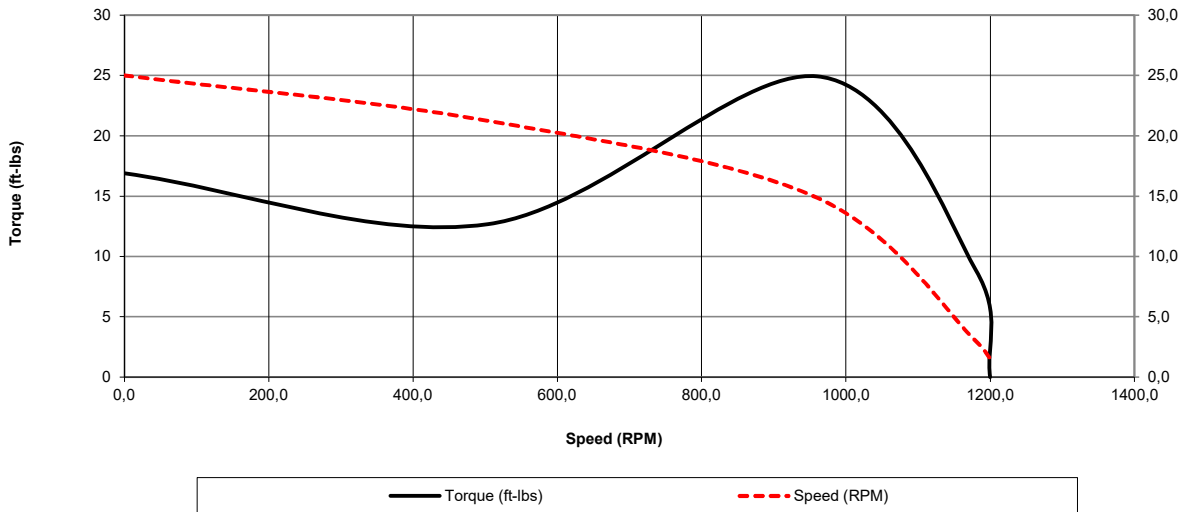


Date: 2023-12-13
 Customer: _____
 Contact: _____
 Submittee: J.C. Lavallée

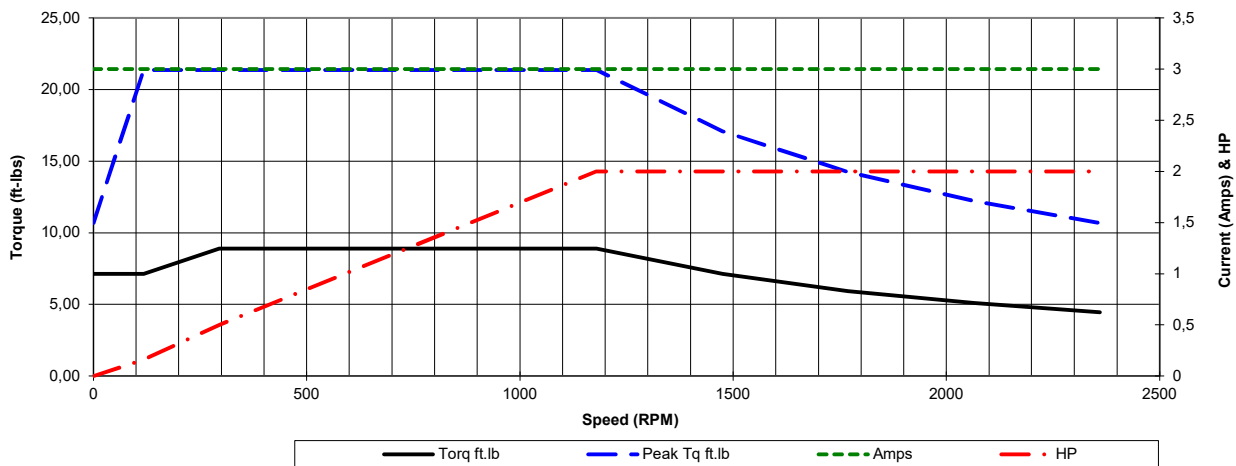
Catalogue #: MQP-13

| NEMA PREMIUM NR CAN NEMA 12 - 12 | | | | | | | | | | |
|----------------------------------|--------------|---------|-----------|------------|-----------|--------------------------------------|-------|----------------|------------------|---------------|
| HP | VAC | RPM | Enclosure | Frame | Frequency | Design | Poles | LR Code Letter | Insulation Class | Temp. Rise °C |
| 2 | 460 | 1180 | TEFC | 184T | 60 Hz | B | 6 | L | F | < 80 |
| | 0Hz | 6Hz | 15Hz | 30Hz | 45Hz | 60 Hz | 75Hz | 90Hz | 105Hz | 120Hz |
| Amps | 3 | 3 | 3 | 3 | 3 | 3 | 3 | 3 | 3 | 3 |
| RPM | 0 | 118 | 295 | 590 | 885 | 1180 | 1475 | 1770 | 2065 | 2360 |
| Torq ft.lb | 7,12 | 7,12 | 8,90 | 8,90 | 8,90 | 8,90 | 7,12 | 5,93 | 5,09 | 4,45 |
| Peak Tq ft.lb | 10,68 | 21,36 | 21,36 | 21,36 | 21,36 | 21,36 | 17,09 | 14,24 | 12,21 | 10,68 |
| HP | 0 | 0,2 | 0,5 | 1,0 | 1,5 | 2,0 | 2,0 | 2,0 | 2,0 | 2,0 |
| | Locked Rotor | Pull-Up | Breakdown | Rated Load | Idle | Duty | S. F. | Ambient | Elevation | dBA @ 1M |
| Speed (RPM) | 0,0 | 504 | 960 | 1180 | 1200 | Continuous | 1,25 | 40°C | 3,300 ft | 57 |
| Current (Amps) | 25,0 | 21,3 | 14,9 | 3,0 | 1,5 | VFD Rating: Meets MG1 parts 31.4.4.2 | | | | |
| Torque (ft-lbs) | 16,9 | 12,7 | 24,9 | 8,9 | 0,0 | C.T. | 10:1 | V.T. | 20:1 | VFD SF 1.00 |

Motor Speed Data



Motor Torque Capability vs RPM





Date: 2023-12-13
 Customer: _____
 Contact: _____
 Submittee: J.C. Lavallée

Catalogue #: **MQP-13**

| NEMA PREMIUM NR CAN NEMA 12 - 12 | | | | | | | | | | |
|----------------------------------|---------------------|----------------|------------------|-------------------|-------------|---|--------------|----------------|------------------|-----------------|
| HP | VAC | RPM | Enclosure | Frame | Frequency | Design | Poles | LR Code Letter | Insulation Class | Temp. Rise °C |
| 2 | 460 | 1180 | TEFC | 184T | 60 Hz | B | 6 | L | F | < 80 |
| Load % | 0% | 25% | 50% | 75% | 100% | 125% | 150% | | | |
| Amps | 1,53 | 1,76 | 2,01 | 2,46 | 3,00 | 3,62 | 4,28 | | | |
| Torq ft/lbs | 0 | 2,20 | 4,41 | 6,65 | 8,90 | 11,17 | 13,47 | | | |
| RPM | 0 | 1195 | 1190 | 1185 | 1180 | 1175 | 1170 | | | |
| Eff | 0 | 66,63 | 86,40 | 88,00 | 88,50 | 87,11 | 86,77 | | | |
| PF | 0 | 40 | 50 | 62 | 70 | 74,2 | 75,6 | | | |
| | Locked Rotor | Pull-Up | Breakdown | Rated Load | Idle | Duty | S. F. | Ambient | Elevation | dBa @ 1M |
| Speed (RPM) | 0 | 504 | 960 | 1180 | 1200 | Continuous | 1,25 | 40°C | 3,300 ft | 57 |
| Current (Amps) | 25 | 21,3 | 14,9 | 3 | 1,53 | VFD Rating: Meets MG1 parts 31.4.4.2 | | | | |
| Torque (ft-lbs) | 16,91 | 12,68 | 24,92 | 8,90 | 0,0 | C.T. | 10:1 | V.T. | 20:1 | VFD SF 1.00 |

